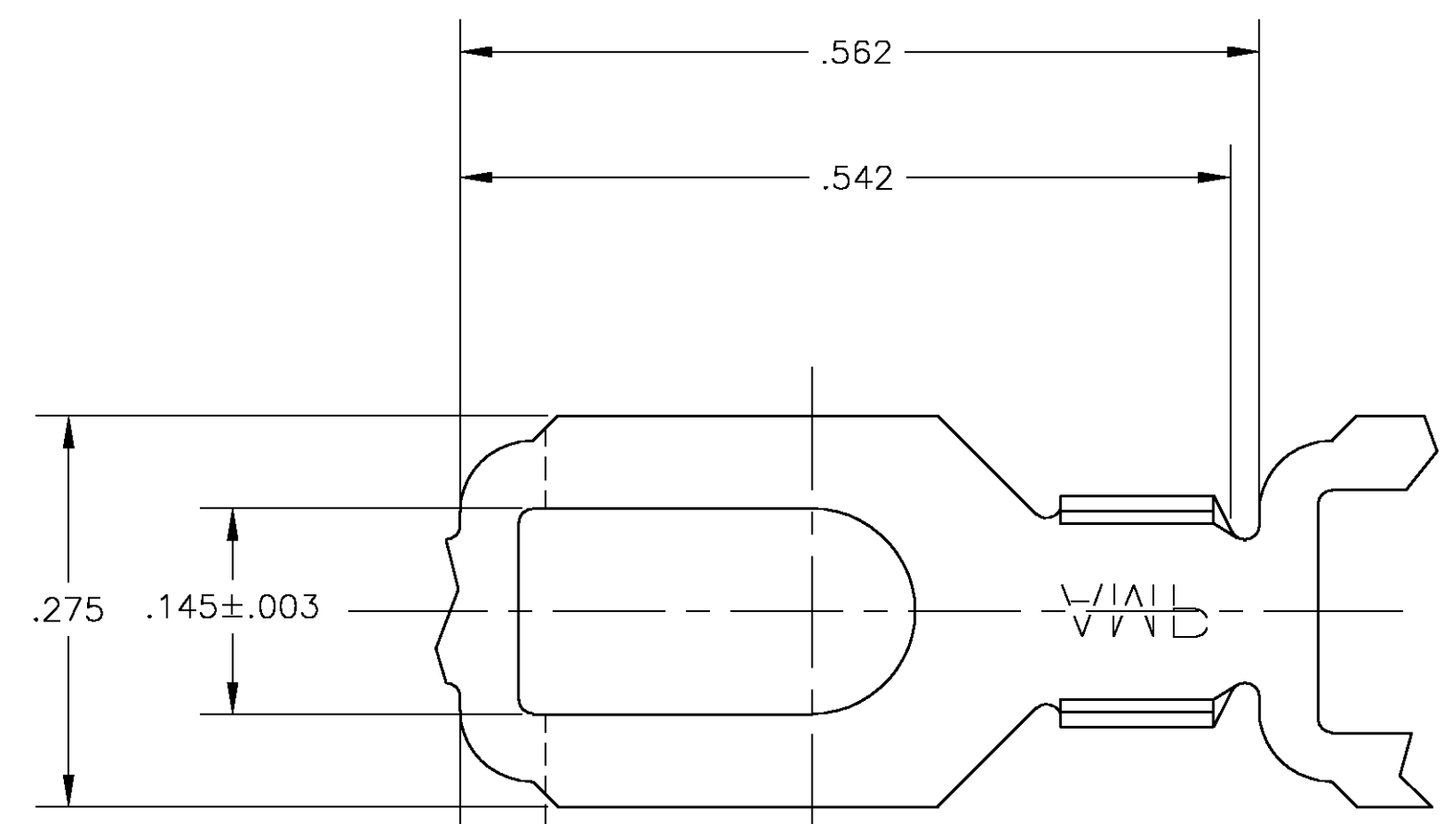


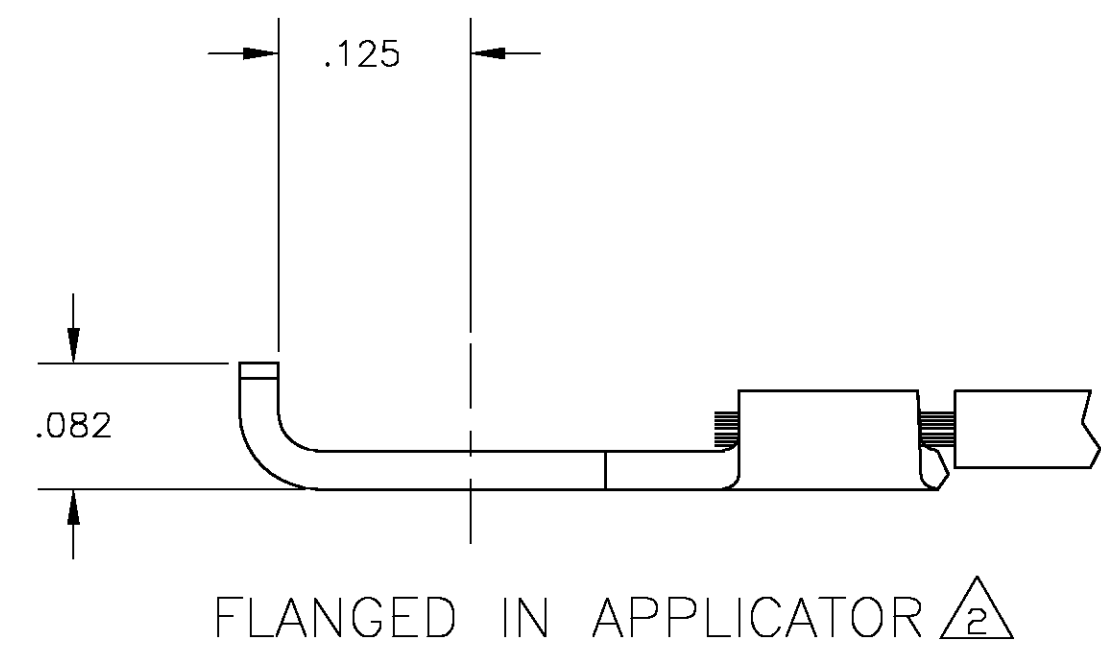
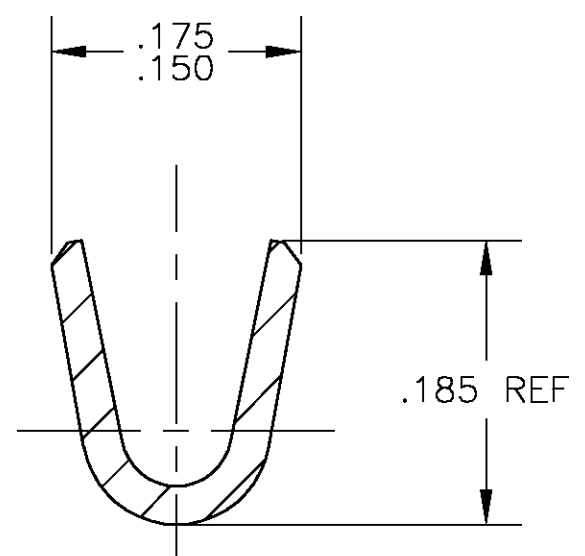
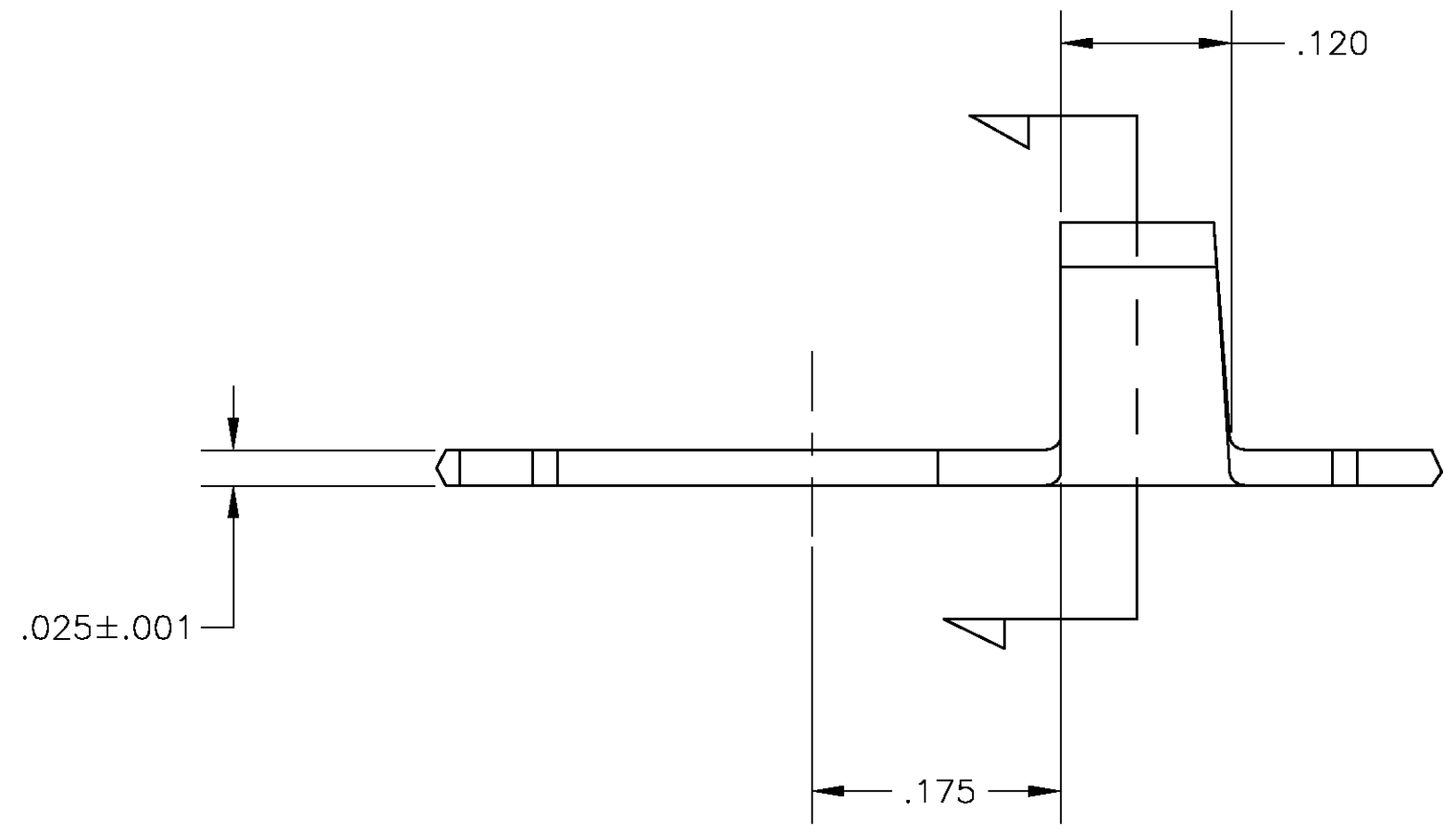
THIS DRAWING IS UNPUBLISHED. RELEASED FOR PUBLICATION
 © COPYRIGHT BY TYCO ELECTRONICS CORPORATION. ALL RIGHTS RESERVED.

| LOC | | DIST | | REVISIONS | | | |
|-----|-----|-------------|--|--------------------------------|---------|-------|--|
| P | LTR | DESCRIPTION | | DATE | DWN | APVD | |
| AF | 50 | H | | REV & REDRWAN PER 0G3A-0200-02 | 02APR03 | MF DD | |

- 1 FOR NEW APPLICATIONS SEE PREFERRED MODERNIZED DESIGN 42320 GROUP AND 42321 GROUP.
- 2 SUFFIX LETTER MUST BE USED ONLY WHEN ORDERING APPLICATOR TOOLING.
- 3 CONTINUOUS STRIP ON REELS.



.060
APPLICATOR
CUT-OFF



| | | |
|-----------------------|------------|-------------|
| - | - | - |
| 40577 A | 18-14 AWG | 40577 |
| 2 FLANGED PART NUMBER | WIRE RANGE | PART NUMBER |

| | | | | |
|--|--------------|---------------------------------------|---|--------------------|
| THIS DRAWING IS A CONTROLLED DOCUMENT. | | DWN MICHAEL S. FEHER 02APR2003 | Tyco Electronics Corporation Harrisburg, PA 17105-3608 | |
| DIMENSIONS: INCHES | | CHK DONALD F. DECKER 02APR2003 | Tyco Electronics | |
| TOLERANCES UNLESS OTHERWISE SPECIFIED: | | APVD DONALD F. DECKER 02APR2003 | NAME #6 STUD, TERMINAL, SPADE | |
| 0 PLC ± - | 1 PLC ± - | PRODUCT SPEC | SIZE A2 | CAGE CODE 00779 |
| 2 PLC ± - | 3 PLC ± .010 | APPLICATION SPEC | DRAWING NO C=40577 | RESTRICTED TO |
| 4 PLC ± - | ANGLES ± 1° | WEIGHT | SCALE 8:1 | SHEET 1 OF 1 |
| MATERIAL 082 BRASS | FINISH | CUSTOMER DRAWING | REV H | |